

# Sewing Machine Spare Parts-Looper

---

## SECO CORPORATION

NO.1 LANE 10, KUNG YUAN RD., XINZHUANG DISTRICT, NEW  
TAIPEI CITY, TAIWAN,R.O.C.

TEL : 886-2-29966803    FAX : 886-2-22791008

E-MAIL : [secocorp@ms53.hinet.net](mailto:secocorp@ms53.hinet.net)

[www.secocorp.com.tw](http://www.secocorp.com.tw)

|           |           |           |           |
|-----------|-----------|-----------|-----------|
| ALTIN     | P.01-P.01 | MERROW    | P.32-P.33 |
| AMERICAN  | P.01-P.01 | NEWLONG   | P.33-P.34 |
| BONIS     | P.01-P.01 | PEGASUS   | P.34-P.42 |
| BORKERT   | P.01-P.01 | PFAFF     | P.42-P.46 |
| BROTHER   | P.01-P.10 | PORTER    | P.46-P.46 |
| COLLI     | P.10-P.10 | REECE     | P.46-P.47 |
| COLUMBIA  | P.10-P.10 | RENOWN    | P.47-P.47 |
| DANDA     | P.10-P.10 | RIMOLDI   | P.47-P.50 |
| DURKOPP   | P.10-P.12 | SEIKO     | P.50-P.50 |
| EINA      | P.12-P.13 | SHINGLING | P.50-P.50 |
| EXCLUDING | P.13-P.13 | SHINGRAY  | P.50-P.51 |
| FISCHBEIN | P.13-P.13 | SINGER    | P.51-P.54 |
| GRIBETZ   | P.13-P.13 | SIRUBA    | P.54-P.58 |
| HAPPY     | P.14-P.14 | STROBEL   | P.58-P.58 |
| JANOME    | P.14-P.14 | TITAN     | P.58-P.59 |
| JIANNLIAN | P.14-P.15 | TOYOTA    | P.59-P.59 |
| JUKI      | P.15-P.25 | TRUASUER  | P.59-P.59 |
| KANSAI    | P.25-P.29 | UNION     | P.59-P.65 |
| KINGTEX   | P.29-P.32 | W&G       | P.65-P.66 |
| LEWIS     | P.32-P.32 | YAMATO    | P.66-P.74 |
| MAUSER    | P.32-P.32 |           |           |
| MECA      | P.32-P.32 |           |           |

ALTIN



81000124



81000125 #F



81000126 #F



81000964



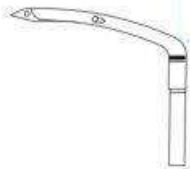
81000963



81001706



81070808



81071019



81071401



81071415

AMERICAN



937

BONIS



114A



114B



114T

BORKERT



95995

BROTHER



101492-001 #B3/16



101493-001 #A3/16



101558-001 #B1/4



101559-001 #A1/4

|  |  |   |   |
|--|--|---|---|
| <br>101560-001 #1/4     | <br>101944-001 #B5/32   | <br>101945-001 #A5/32         | <br>105203-001 #B1/8     |
| <br>105204-001 #A1/8    | <br>105206-001          | <br>105302-001 #1/8.3/16.5/32 | <br>106170-001 #1/4      |
| <br>110121-001         | <br>110427-001 #1/8ASM | <br>110428-001 #5/32ASM      | <br>110429-001 #3/16ASM |
| <br>110736-001        | <br>110737-001        | <br>111156-001 #C7/64       | <br>111157-001 #C1/4   |
| <br>111158-001 #C5/32 | <br>111159-001 #C3/16 | <br>111160-001 #B           | <br>111161-001 #A7/64  |
| <br>111162-001 #A1/4  | <br>111163-001 #A5/32 | <br>111164-001 #A3/16       | <br>111166-001         |

|  |  |   |  |
|--|--|---|--|
| <br>111167-001          | <br>111827-001 #7/64ASM | <br>111828-001 #1/4ASM  | <br>111829-001 #5/32ASM |
| <br>111830-001 #3/16ASM | <br>112427-001          | <br>113926-001          | <br>115069-001          |
| <br>115985-001 #A1/8   | <br>115986-001 #B1/8   | <br>115987-001 #A3/16  | <br>115988-001 #B3/16  |
| <br>115989-001 #A1/4  | <br>115990-001 #A1/32 | <br>115991-001 #B1/32 | <br>115993-001 #3/16  |
| <br>115994-001 #1/32  | <br>116230-001 #B1/4  | <br>117869-001        | <br>117870-001        |
| <br>118654-001        | <br>126648-001        | <br>127260-001        | <br>127814-001        |

|  |  |   |  |
|--|--|---|--|
| <br>127815-001      | <br>127840-001          | <br>140132-001      | <br>140161-001      |
| <br>143733-001      | <br>143734-001          | <br>144042-001      | <br>144049-001      |
| <br>144127-001     | <br>145821-001 #1/4ASM | <br>146496-001     | <br>146497-001     |
| <br>146612-001    | <br>146613-001        | <br>146635-001    | <br>146726-001    |
| <br>146777-001    | <br>146778-001        | <br>146792-001 #B | <br>146962-001 #E |
| <br>147934-001 #S | <br>147935-001        | <br>147936-001    | <br>147937-001    |

|  |   |   |  |
|--|---|---|--|
|  <p>1. 148125-001<br/>2. 148126-001</p> |  <p>148869-001 #S</p>          |  <p>148870-001 #M</p>   |  <p>148871-001 #L</p>           |
|  <p>148872-001</p>                      |  <p>148873-001</p>             |  <p>148874-001</p>      |  <p>148875-001</p>              |
|  <p>148934-001 #3/8, 3/16</p>          |  <p>148935-001 #3/8, 3/16</p> |  <p>148973-001</p>     |  <p>148949-001 #5/16, 5/32</p> |
|  <p>148950-001 #5/16, 5/32</p>        |  <p>152044-001</p>           |  <p>155240-001</p>     |  <p>155241-001</p>            |
|  <p>155242-001 #S</p>                 |  <p>155243-001 #H</p>        |  <p>158433-001</p>    |  <p>159434-001 #B</p>         |
|  <p>159591-001 #3/16</p>              |  <p>159592-001 #3/16</p>     |  <p>159686-001 #H</p> |  <p>159883-001</p>            |

|  |  |  |  |
|--|--|--|--|
| <br>159884-001 #C       | <br>159885-001          | <br>S01417-001                     | <br>S01248-001 #E |
| <br>S01249-001 #F       | <br>S01432-001          | <br>S01465-001 #G                  | <br>S01756-001    |
| <br>S03536-001         | <br>S06310-001         | <br>S06314-001                    | <br>S06315-001   |
| <br>S06316-001 #A3/16 | <br>S06317-001 #B3/16 | <br>1.S08757-001<br>2.S08913-001 | <br>S08934-001  |
| <br>S09459-001        | <br>S09460-001        | <br>S12683-001                   | <br>S12731-001  |
| <br>S12842-001        | <br>S12865-001        | <br>S12091-001                   | <br>S20415-001  |





S20417-001



S20418-001



S20419-001



S20420-001



S20421-001 #L



S20422-001 #A



S20423-001 #M



S20424-001 #B



S20426-001 #H



S20428-001 #C



S20429-001 #Q



S20430-001 #D



S20432-001 #J



S20434-001 #E



S20436-001 #F



S20438-001 #G



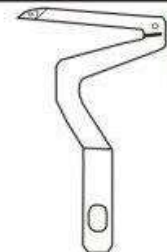
S20440-001 #K



S20442-001 #R



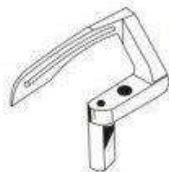
S20626-001



S20627-001



S20653-001



S21866-001



S28091-001



S28097-001



S28396-001



S28591-001



S28944-001



S35022-001



S35033-001



S35034-001



S35410-001



S35411-001



S35412-001



S35413-001



S35471-001



S35472-001



S38306-001



S38307-001



S39653-001



S40375-001 #S



S40376-001 #M



S40377-001 #L



S40378-001



S40379-001



S40380-001



S40389-001 #B1/8



S40390-001 #A1/8



S40391-001 #B3/16



S40392-001 #A3/16



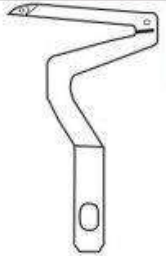
S40393-001 #B1/4



S40394-001 #A1/4



S40569-001



S40866-001



S40973-001



S40974-001



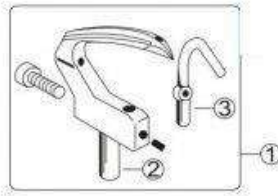
S40954-001 #S



S49078-001



S49079-001



1.S551616-001  
2.S551617-001  
3.S551618-001



SA7547-001



SA7634-001



SP1402-001



SP1403-001



SP1404-001



SP1405-001



SP1406-001



SP1427-001



SP1428-001



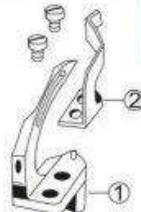
SP2197-001



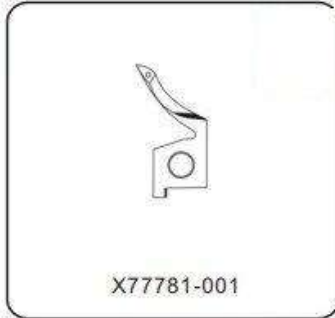
SP2199-001



SP2220-001



1.SP2365-001  
2.SP2366-001



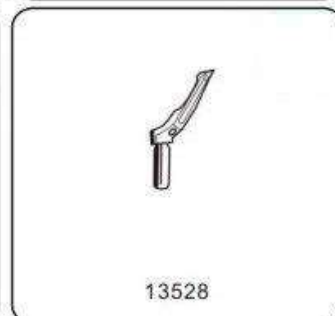
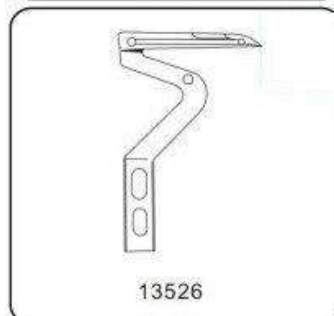
COLLI



COLUMBIA



DANDA



DURKOPP



|   |  |  |  |
|---|--|--|--|
| <br>055700602A<br>557-602A       | <br>055700605<br>557-605        | <br>055700611<br>557-611           | <br>055700614<br>557-614        |
| <br>055700618<br>557-618         | <br>055700620<br>557-620        | <br>055702168                      | <br>055702872<br>557-2872 #A1   |
| <br>055702872A<br>557-2872A #A3 | <br>055702876K<br>557-2876K #A | <br>055703243<br>557-3243 #B1     | <br>055703398<br>557-3398 #B   |
| <br>055702005<br>557-2005 #A2  | <br>055702006<br>557-2006 #B2 | <br>055702007<br>557-2007 #B3    | <br>055702035<br>557-2035 #AS |
| <br>057803011                  | <br>077150500                 | <br>1.0171003253<br>2.0171003256 | <br>0195004753<br>0195004753A |
| <br>0195005055<br>0195005055A  | <br>0370150380                | <br>0370150410                   | <br>0810001480                |



0810001520



0933000334  
933334



0933000337  
933337



0933000337A  
933337A



0933000341



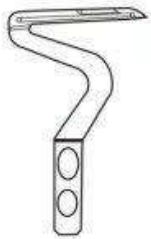
0933004005



770070081008



770070081107



770070081800



770070082600



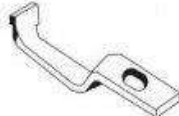
770070084002



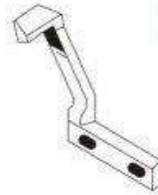
770070084101



770070084200



770070084408



770070084507



770070084606

EINA



H002988



H003261



H003519



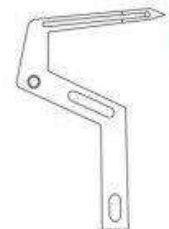
H003583



H003921



H004117



H004125

|  |   |   |  |
|--|---|---|--|
| <br>H004302       | <br>H010801    | EXCLUDING   | <br>3055        |
| <br>3060          | <br>3062       | <br>3082<br>3082A | <br>3091        |
| <br>5213         | <br>5214      | FISCHBEIN   | <br>10060      |
| <br>10208       | <br>11300    | <br>31250       | <br>31251     |
| <br>31262       | <br>31260    | <br>31265       | GRIBETZ  |
| <br>P3-0146C-NS | <br>P3-0146N | <br>P3-0229D    | <br>P3-0229DS |

HAPPY



30290



60290



60335



60768



61176-1 #B



61294



61300 #H



67404-1

JANOME



750042000



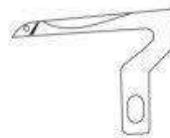
784076008



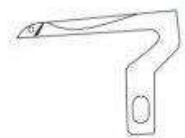
750081001



784076019



784083008



784083606



795096008

JIANNLIAN



B8-16 #L1



B8-17 #L2



B8-C16-1 #B1/4



B8-C16-2 #B3/16



B8-C17-1 #A1/4



B8-C17-2 #A3/16





B9-16S



B9-17M



B9-18L



P10-16S



P10-17M



P10-18L

JUKI



115-39202



115-44806



115-44905



115-66908



115-67203



115-67302



115-67401



115-82400



116-51908



116-81301



116-93108



118-29405



118-88005 #80



118-88104 #81



118-88203 #82



118-88302 #83



118-88401

|   |   |   |  |
|---|---|---|--|
| <br>118-88500<br>118-88501 | <br>118-88609 #86          | <br>118-88708       | <br>118-89904       |
| <br>118-90001              | <br>118-90100<br>118-90209 | <br>118-90308       | <br>118-90407       |
| <br>118-90506             | <br>118-90605             | <br>118-90704       | <br>118-91009      |
| <br>118-95206            | <br>119-91403 #14        | <br>119-91908 #19 | <br>119-93607 #36 |
| <br>119-96600 #66        | <br>119-99208 #92        | <br>119-99307     | <br>119-99406     |
| <br>119-99604            | <br>119-99802            | <br>120-03604     | <br>120-14809     |



120-14817



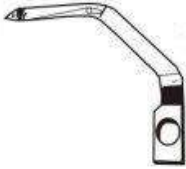
120-14908



120-15301



120-15400



121-20705



120-21200



121-76004 #60



121-76103 #61



121-76202 #62



121-77903



122-40107



122-40602



122-47102 #71



122-47300 #73



122-47508 #75



123-83501



123-83600



123-83808



123-83907



123-84202



123-84301







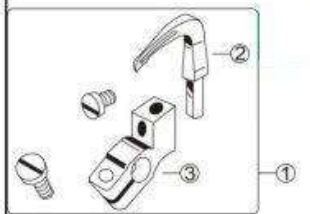


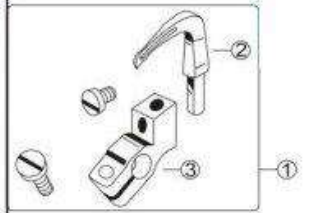
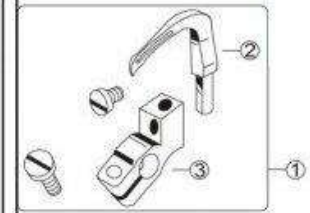
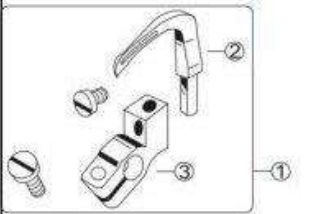

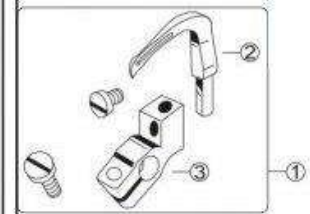
123-84400



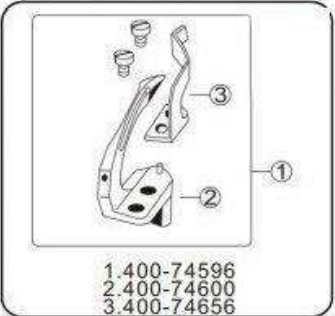
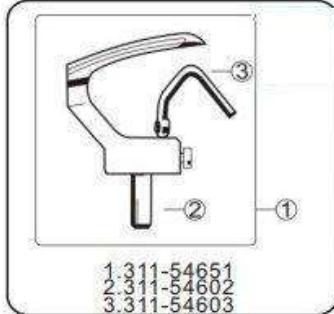
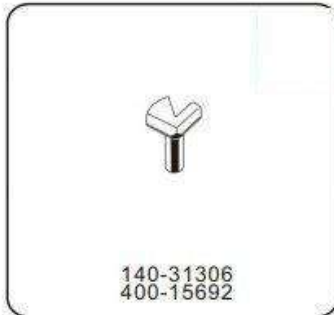
123-84509



124-81008 #10

|   |   |  |   |
|---|---|--|---|
|  <p>124-81107 #11</p>  |  <p>124-81800</p>  |  <p>124-82600</p>  |  <p>124-84002</p>  |
|  <p>124-84101</p>  |  <p>124-84200</p>  |  <p>124-84408</p>  |  <p>124-84507</p>  |
|  <p>124-84606</p>   |  <p>1. 129-40557 #R3/16<br/>2. 129-40508 #R3/16<br/>3. 129-41100</p>              |  <p>1. 129-40656 #R1/8<br/>2. 129-40607 #R1/8<br/>3. 129-41100</p>                |  <p>129-40755 #R5/32</p>  |
|  <p>129-40854 #R7/32</p>   |  <p>1. 129-40953 #R1/4<br/>2. 129-40904 #R1/4<br/>3. 129-41100</p>               |  <p>1. 129-41050 #R5/16<br/>2. 129-41001 #R5/16<br/>3. 129-41100</p>             |  <p>1. 129-41456 #L3/16<br/>2. 129-41407 #L3/16<br/>3. 129-42009</p> |
|  <p>1. 129-41555 #L1/8<br/>2. 129-41506 #L1/8<br/>3. 129-42009</p>   |  <p>129-41654 #L5/32</p>   |  <p>129-41753 #L7/32</p>   |  <p>1. 129-41852 #L1/4<br/>2. 129-41803 #L1/4<br/>3. 129-42009</p>   |
|  <p>1. 129-41951 #L5/16<br/>2. 129-41902 #L5/16<br/>3. 129-42009</p> |  <p>1. 129-42355 4. 129-42504<br/>2. 129-42405 5. 129-42603<br/>3. 129-42306</p> |  <p>1. 129-64409 4. 129-64607<br/>2. 129-64805 5. 129-64706<br/>3. 129-64508</p> |  <p>1. 129-68558 #1<br/>2. 129-68509 #1<br/>3. 129-42009</p>         |

|  |  |   |  |
|--|--|---|--|
|  <p>1.129-68657 #2<br/>2.129-68608 #2<br/>3.129-42009</p> |  <p>1.129-68855 #1<br/>2.129-68806 #1<br/>3.129-41100</p> |  <p>1.129-68954 #2<br/>2.129-68905 #2<br/>3.129-41100</p> |  <p>1.129-69150 #1<br/>2.129-69101 #1<br/>3.129-69309</p> |
|  <p>1.129-79258 #3<br/>2.129-79209 #3<br/>3.129-42009</p> |  <p>1.129-79357 #3<br/>2.129-79308 #3<br/>3.129-69309</p> |  <p>131-26107</p>   |  <p>133-29404</p>   |
|  <p>133-34602</p>  |  <p>1.133-37902<br/>2.133-34701</p>                      |  <p>134-20302</p>  |  <p>134-20609</p>  |
|  <p>134-20809</p>                                       |  <p>136-63000</p>                                       |  <p>136-63109</p>                                       |  <p>136-63406</p>                                       |
|  <p>136-63505</p>                                       |  <p>136-63802</p>                                       |  <p>136-63901</p>                                       |  <p>140-30803</p>                                       |
|  <p>140-30902</p>                                       |  <p>140-31307<br/>140-31009</p>                         |  <p>140-31116<br/>140-31108</p>                         |  <p>140-31207<br/>400-15693</p>                         |





418-6101-01A  
418-6101-01B



605-6101-01A  
615-6101-01A



700-00175



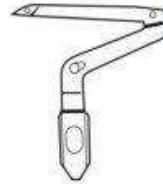
700-00238



700-00335



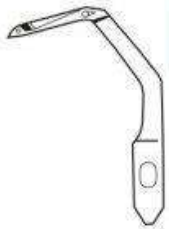
700-00336



700-00405



700-00469



700-00473



700-00798



700-00799



700-00827



700-01556



700-01563



714-6101-01A



A2511-102-000



A2512-102-000



A2512-103-000  
50104503



A2512-234-000



A2517-103-000



A2526-335-000  
50141903



A2526-776-000



B1239-372-000  
B1239-373-000



B1242-372-000  
B1242-373-000



B1830-111-000



B2008-038-B00 #A1/8



B2008-038-D00 #A3/16



B2008-038-F00 #A1/4



B2008-038-K00 #A3/8



B2009-038-B00 #B1/8



B2009-038-D00 #B3/16



B2009-038-F00 #B1/4



B2009-038-K00 #B3/8



B2011-357-000



B2030-380-000



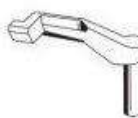
B2030-481-000



B2031-380-000



B2118-816-000



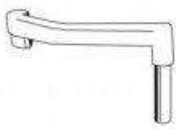
B2311-380-B00  
B2311-380-E00



B2311-382-000



B2311-481-000



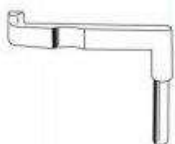
B2312-380-000



B2312-382-000



B2312-481-000



B2315-380-000



B2507-019-000


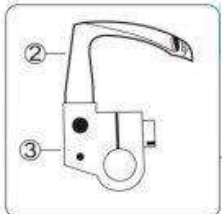



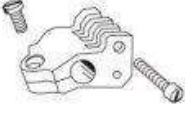










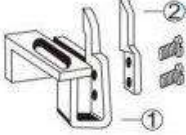



B2507-026-000



B2513-019-B00 #A1/8



|  |   |  |   |
|--|---|--|---|
| <br>B2513-019-D00 #A3/16  | <br>B2513-019-F00 #A1/4  | <br>B2513-019-K00 #A3/8  | <br>B2513-026-D00 #A3/16   |
| <br>B2513-026-F00 #A1/4   | <br>B2513-026-DA0 #3/16ASM   | <br>B2513-026-FA0 #1/4ASM  | <br>1. B2513-191-BA0 #A1/8<br>2. B2513-191-B00 #A1/8<br>3. B2515-191-OA0   |
| <br>1. B2513-191-DA0 #A3/16<br>2. B2513-191-D00 #A3/16<br>3. B2515-191-OA0 | <br>1. B2513-191-FA0 #A1/4<br>2. B2513-191-F00 #A1/4<br>3. B2515-191-OA0    | <br>1. B2513-191-KA0 #A3/8<br>2. B2513-191-K00 #A3/8<br>3. B2515-191-OA0  | <br>B2514-019-B00 #B1/8   |
| <br>B2514-019-D00 #B3/16  | <br>B2514-019-F00 #B1/4  | <br>B2514-019-K00 #B3/8  | <br>B2514-026-000 #B   |
| <br>1. B2514-191-BA0 #B1/8<br>2. B2514-191-B00 #B1/8<br>3. B2516-191-OA0  | <br>1. B2514-191-DA0 #B3/16<br>2. B2514-191-D00 #B3/16<br>3. B2516-191-OA0 | <br>1. B2514-191-FA0 #B1/4<br>2. B2514-191-F00 #B1/4<br>3. B2516-191-OA0 | <br>1. B2514-191-KA0 #B3/8<br>2. B2514-191-K00 #B3/8<br>3. B2516-191-OA0 |
| <br>B2514-803-000   | <br>B2514-860-000<br>B2514-860-G00   | <br>B2515-026-D00 #C3/16   | <br>B2515-026-F00 #C1/4  |

|  |  |   |  |
|--|--|---|--|
|  <p>B2516-026-0A0</p>   |  <p>B2519-804-000</p>                   |  <p>B2519-814-000</p>    |  <p>B2520-352-000</p>                           |
|  <p>B2520-353-000</p>   |  <p>B2520-354-000<br/>B2520-355-000</p> |  <p>B2521-352-000</p>   |  <p>B2521-804-000</p>                           |
|  <p>1. B2521-814-00A<br/>2. B2521-814-00B<br/>3. B4120-814-00B</p> |  <p>B2523-180-000</p>                  |  <p>B2524-180-000</p>  |  <p>B3901-880-A00</p>                          |
|  <p>B4120-804-000</p>   |  <p>B4120-816-000</p>                 |  <p>B4121-804-000</p>  |  <p>1. B4121-816-000<br/>2. B4122-816-000</p> |
|  <p>1. B4124-354-000<br/>2. B4125-354-000</p>                     |  <p>B4133-357-AA0</p>                 |  <p>B4133-357-BA0</p> |  <p>B4133-357-CA0</p>                         |
|  <p>B4815-640-000 #T830</p>                                       |  <p>D2126-481-CA0</p>                 |  <p>D2520-352-G00</p> |  <p>D2520-353-G00</p>                         |

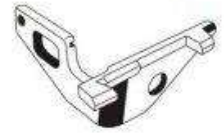


D2521-352-G00

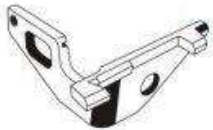
KANSAI



18-324



18-581



18-582



18-602



18-611



18-705



19-101



19-103



19-112 #3.175mm



19-112A #2.50mm



19-112S #2.30mm



19-151



19-202



1.19-287  
2.19-288



19-307



1.19-351  
2.79-571



1.19-353  
2.79-572



1.19-362  
2.79-572



1.19-363  
2.79-571



19-404



19-405



19-416

|  |  |  |  |
|--|--|--|--|
| <br>19-431 #3.175mm | <br>19-431A #2.50mm | <br>19-431B #2.20mm        | <br>19-431N #2.70mm |
| <br>19-431S #2.30mm | <br>19-432 #3.175mm | <br>19-432A #2.50mm        | <br>19-431S #2.30mm |
| <br>19-433 #2.50mm | <br>19-437         | <br>19-495                | <br>19-505         |
| <br>19-512 #1/4   | <br>19-514 #3/8   | <br>19-518 #1/4, 3/8     | <br>19-521 #1/4   |
| <br>19-522 #1/4   | <br>19-525        | <br>19-531               | <br>19-535        |
| <br>19-536        | <br>19-538        | <br>1.19-539<br>2.19-540 | <br>19-546        |

|   |   |  |   |
|---|---|--|---|
| <br>19-547       | <br>19-548       | <br>19-549                 | <br>19-550   |
| <br>19-556 #9/32 | <br>19-557 #9/32 | <br>19-561                 | <br>19-562   |
| <br>19-568      | <br>19-569      | <br>19-571                | <br>19-572  |
| <br>19-580     | <br>19-581     | <br>19-582               | <br>19-583 |
| <br>19-592     | <br>19-593     | <br>1.19-619<br>2.19-620 | <br>19-703 |
| <br>19-712     | <br>19-713     | <br>19-720               | <br>19-721 |



19-751



19-792



19-801



19-806



19-807



19-808



19-810



19-811



19-812



19-813



19-814



19-836



19-837



19-838



19-946



19-947



19-948



19-949



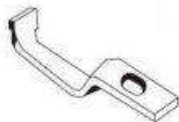
19-990



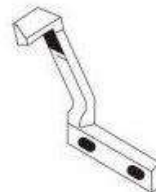
19-991



19-992



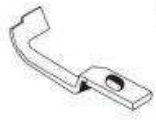
56-260



56-263



56-264



56-265



56-401



56-402



56-452  
56-244



56-465



56-485



56-508



WS-045

KINGTEX



5210LL603884  
LL603884



5210LL603885  
LL603885



5210NG03900  
NG603900



5210NG03901  
NG603901



5210NG04903  
NG604903



5210NG05905  
NG605905



5210NG05906  
NG605906



5210NG05907  
NG605907



5210UL60380  
UL603880



5210UL60381  
UL603881



5210UL60386  
UL603886



5210UL60482  
UL604882



5210UL60483  
UL604883



5212CL0001  
CL212001



5212LL0001  
LL212001



5212LL0002  
LL212002



5212NG0001  
NG212001



5212NG0002  
NG212002



5212NG0003  
NG212003



5212NG0004  
NG212004



5212NG0005  
NG212005



5212NG0006  
NG212006



5212NG0007  
NG212007



5212UL0001  
UL212001



5212UL0002  
UL212002



5212UL0003  
UL212003



5212UL0004  
UL212004



5213CL0001  
CL213001



5210NG04903  
NG604903



5210NG05905  
NG605905



5210NG05906  
NG605906



5213UL0001  
UL213001



5213UL0002  
UL213002



5220LL00560  
LLC00560



5220NG00561  
NGC00D2



5220NG00562  
NGC00D0



5220NG00563  
NGC00D1



5220SL00560  
SLC00560



5220SL00561  
SLF00560





5221LL00560  
LLF00560



1.5221LL00561  
2.5221NG00561



5221LL02640



5221LL02641



5221LL02642



5221LL02643



5221LL10880



5221NG00562



5221NG02640



5221NG10880



5221NG60560



5231LL0001  
LL231001



5231LL0002  
LL231002



5231LL0003  
LL231003



5231LL0004  
LL231004



5231NG0001  
NG231001



5231NG0002  
NG231002



5231UL0001  
UL231001



5232LL0001  
LL232001



1.5240LL0001  
2.5240NG0001



5240NG0002



5240SL0001



5240SL0002



CL605294



GUL605150



LLF81600

LEWIS



36-16



36-18



36-19



36-20



36-21

MAUSER



96-700565-05



96-700595-05



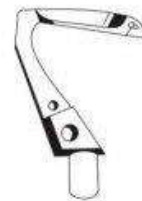
96-700714-05



96-700715-05

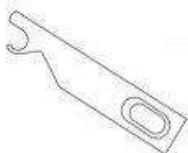


96-712082-05

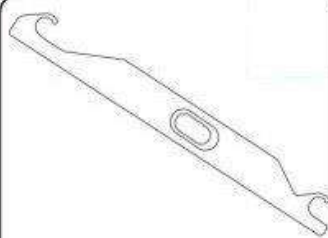


96-722820-05

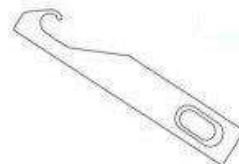
MECA



TR0001



TR0002



TR0003



TR2566

MERROW



43





48



59

|   |  |  |   |
|---|--|--|---|
|  <p>69</p>                 |  <p>72</p>                |  <p>77</p>         |  <p>79</p>                 |
|  <p>82</p>                 |  <p>84</p>                |  <p>85</p>         |  <p>94M</p>                |
|  <p>95</p>                |  <p>96</p>               |  <p>97M</p>       |  <p>100</p>               |
|  <p>102</p>              |  <p>103-140L</p>        |  <p>103-140S</p> |  <p>103-177L #12.5mm</p> |
|  <p>103-177M #11.0mm</p> |  <p>103-177S #9.2mm</p> |  <p>105</p>      |  <p>106</p>              |
|  <p>108</p>              |  <p>120</p>             | <p>NEWLONG</p>   |  <p>013091</p>           |

|   |   |  |   |
|---|---|--|---|
| <br>033121   | <br>033122   | <br>033281   | <br>043011                 |
| <br>063151   | <br>203081   | <br>243102    | <br>243102A                |
| <br>243102B | <br>243151  | <br>303191  | PEGASUS   |
| <br>137301 | <br>137302 | <br>138302 | <br>140301               |
| <br>155301 | <br>167030 | <br>188004 | <br>1.192052<br>2.192053 |
| <br>193098 | <br>200455 | <br>200785 | <br>201067A              |

|   |   |  |   |
|---|---|--|---|
|  <p>201085B<br/>202861</p> |  <p>201234A</p>    |  <p>201278A<br/>202703</p> |  <p>201453B</p>    |
|  <p>202408</p>             |  <p>202688A</p>    |  <p>202719 #6</p>          |  <p>202749</p>     |
|  <p>202828 #4</p>         |  <p>202840 #5</p> |  <p>202842 #2</p>         |  <p>202872 #3</p> |
|  <p>202874 #1</p>        |  <p>204042</p>   |  <p>204062 #2</p>        |  <p>204072</p>   |
|  <p>204314A</p>          |  <p>204431</p>   |  <p>204521</p>           |  <p>204522</p>   |
|  <p>204536</p>           |  <p>204634</p>   |  <p>204635</p>           |  <p>204659</p>   |



204660



204663 #7



204702 #4



204703 #6



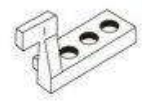
204704 #3



204705 #5



204781



204782



204949 #11



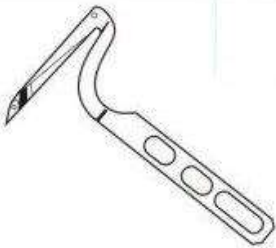
204963 #8



204964 #9



204990 #12



204991



205891 #10



206097  
206097A



206097C



26097D



206158



206675



207936A



208356



208357



208358

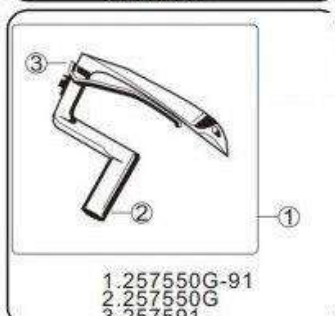
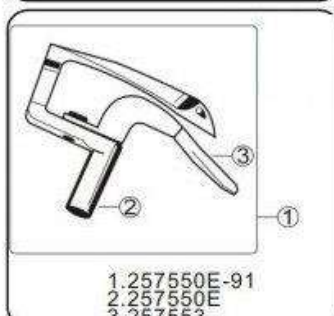
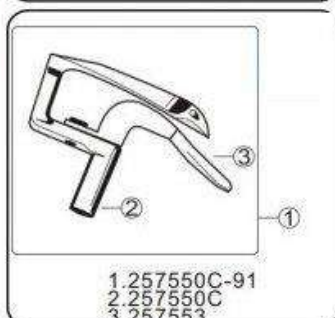
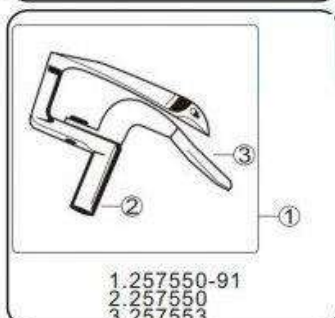
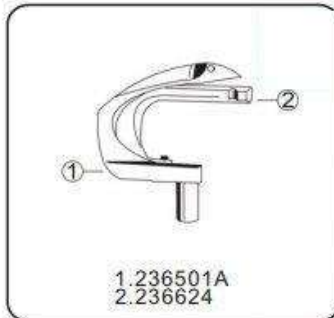
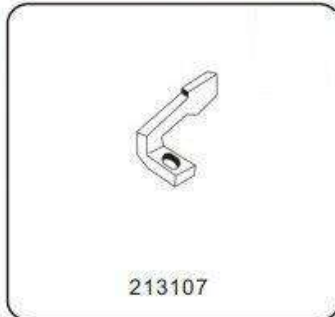
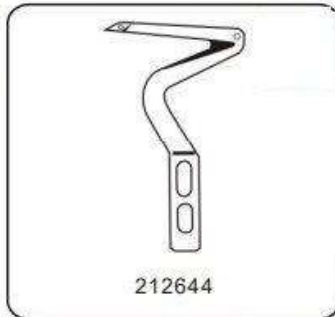
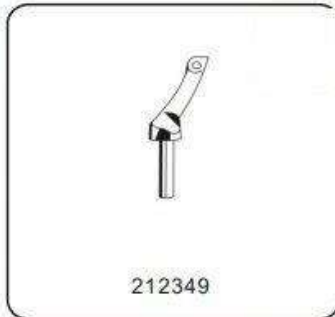
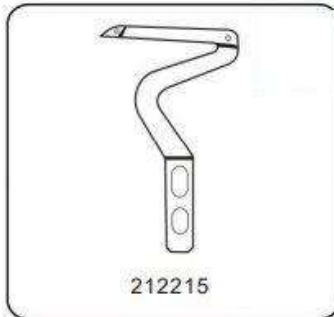


208360

|   |   |  |   |
|---|---|--|---|
| <br>209009             | <br>209668       | <br>209669       | <br>209669A      |
| <br>209685<br>209685AC | <br>209729       | <br>209733 #14   | <br>210275       |
| <br>210276            | <br>210278      | <br>210279      | <br>210354      |
| <br>210356           | <br>210357     | <br>210358 #2  | <br>210359 #4  |
| <br>210360 #6        | <br>210361 #8  | <br>210362 #1  | <br>210363 #3  |
| <br>210364 #22       | <br>210365 #24 | <br>210366 #26 | <br>210367 #28 |

|   |   |  |   |
|---|---|--|---|
| <br>210368 #34   | <br>210512 #21   | <br>210513 #23   | <br>210514 #25   |
| <br>210515 #27   | <br>210724       | <br>210729 #30   | <br>210730 #32   |
| <br>211144      | <br>211145      | <br>211147      | <br>211156 #63  |
| <br>211161     | <br>211168     | <br>211231 #84 | <br>211507 #36 |
| <br>211559     | <br>211621     | <br>211651     | <br>211719 #38 |
| <br>211720 #40 | <br>211845 #29 | <br>212902 #10 | <br>212215     |







257552



257555



257561



257565



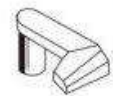
257565A



257565C



257566



257567



257568



257569



257570



257575



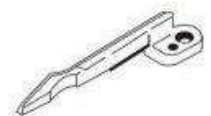
257576



258169



258170



259572



259573-92



277001



277004



277005



277006



277007



277008



277010 #2



277010A #5



277010B #6



277011 #3



277012 #4



277013 #7



277014 #1



277014A #8



277014B #9



277015



277015A



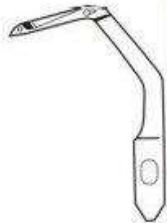
277016



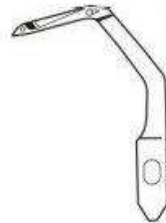
277016A



277017 #11



277018



277018C



277019 #12



277020 #21



277021



277034



277036 #13



277038



277041



277042

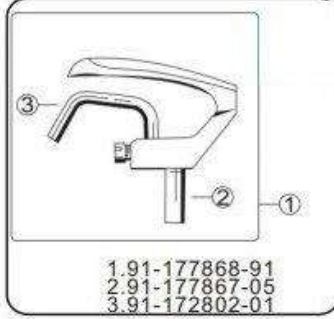
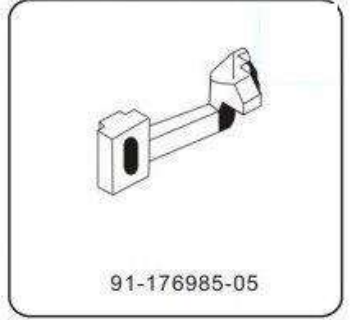
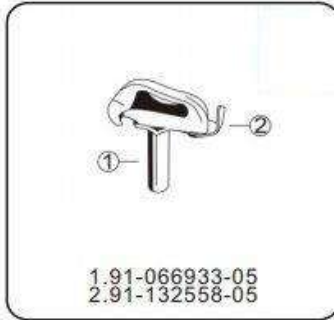


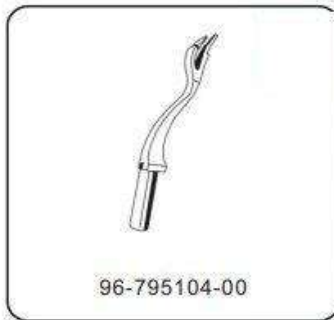
277060

|   |   |   |  |
|---|---|---|--|
| <br>277061           | <br>277062 #14                     | <br>277062A #15     | <br>277062B #18     |
| <br>277063 #19       | <br>277068 #43                     | <br>2F000100000 #15 | <br>2F000200000 #16 |
| <br>2F000300000 #17 | <br>2H000100000                   | <br>300616         | <br>310619         |
| <br>310629         | <br>310712                       | <br>320708        | PFAFF  |
| <br>09-009049-43   | <br>09-009049-56<br>09-009053-29 | <br>09-009053-31  | <br>09-009054-19  |
| <br>09-009054-20   | <br>09-009065-25                 | <br>09-009065-26  | <br>09-009065-89  |

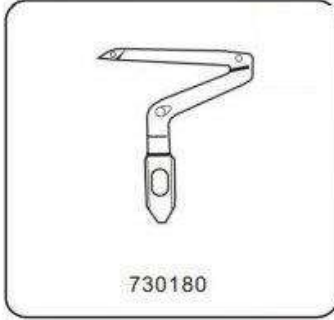
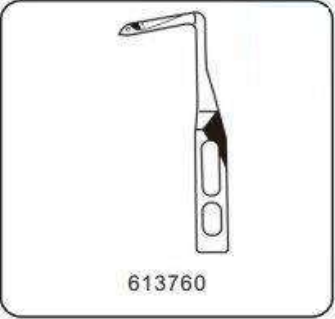
|   |   |   |  |
|---|---|---|--|
| <br>09-009065-90   | <br>09-009067-68<br>09-009067-69   | <br>09-009067-70                  | <br>09-009068-07                  |
| <br>09-009603-48   | <br>09-009603-49                   | <br>09-009611-28<br>09-009611-29  | <br>09-009615-99                  |
| <br>09-009616-01  | <br>09-009616-03<br>09-009616-04  | <br>09-009617-06<br>09-009617-07 | <br>09-009617-97<br>09-009617-98 |
| <br>09-009618-08 | <br>09-009618-12                 | <br>09-009620-31                | <br>09-009620-33                |
| <br>09-009620-34 | <br>09-009621-60                 | <br>09-009733-31                | <br>09-009733-37                |
| <br>09-009802-26 | <br>09-009802-28<br>09-009802-29 | <br>09-009804-51                | <br>09-009807-47                |

|   |  |   |   |
|---|--|---|---|
| <br>09-009811-92                   | <br>09-009812-96                  | <br>09-009826-26                  | <br>09-009826-28   |
| <br>09-009833-45                   | <br>09-009844-22                  | <br>09-009846-09                  | <br>09-009846-10   |
| <br>09-009846-11                  | <br>09-009846-12<br>09-009846-13 | <br>09-009846-14<br>09-009846-15 | <br>09-009846-17  |
| <br>09-009846-18<br>09-009846-19 | <br>09-009846-20                | <br>09-009852-26                | <br>09-009852-27 |
| <br>09-009852-28                 | <br>09-009854-48                | <br>09-009854-54                | <br>09-009854-56 |
| <br>09-009854-57                 | <br>09-400401-00                | <br>09-400404-00                | <br>91-066932-91 |

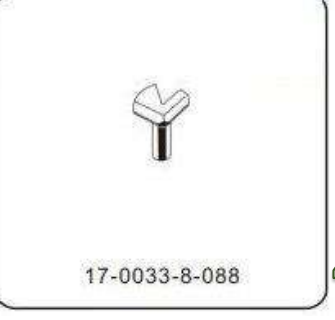
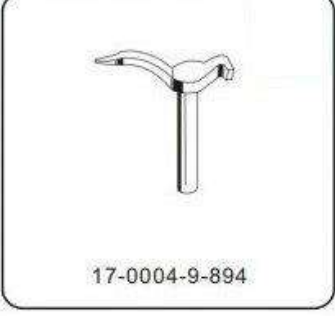
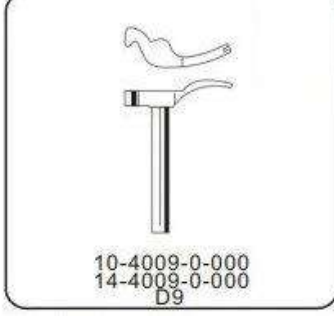
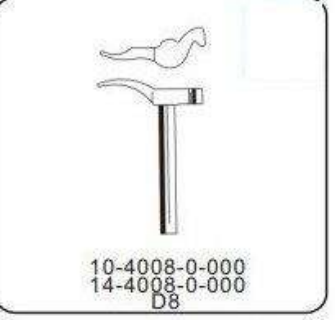
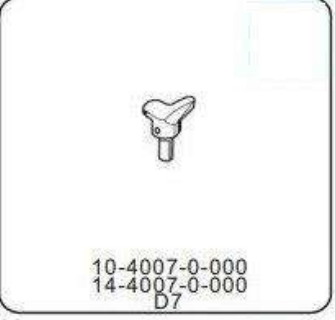
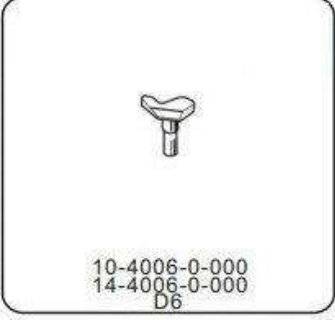
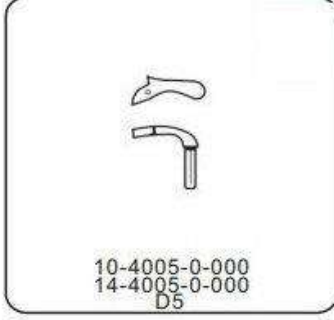




PORTER



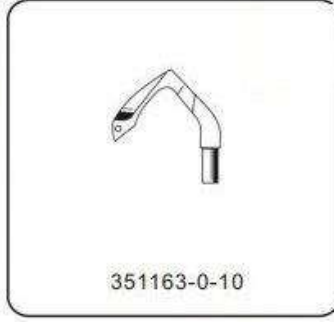
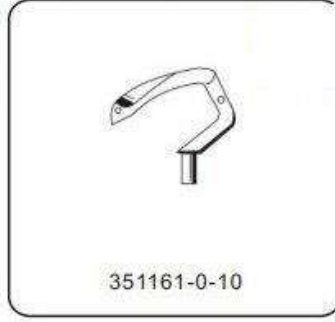
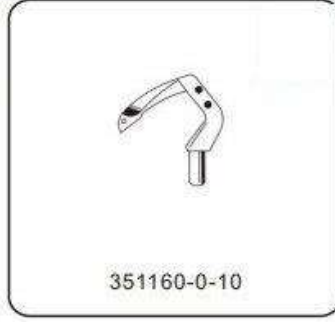
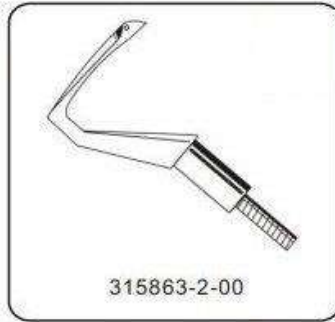
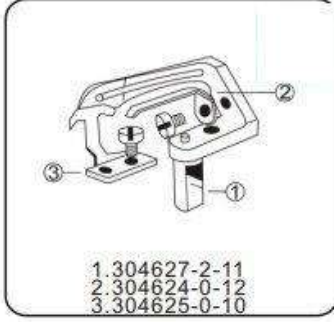
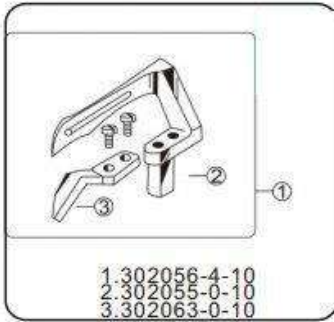
REECE

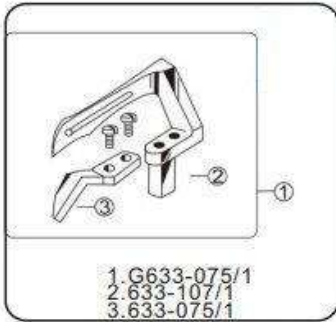




|   |   |  |   |
|---|---|--|---|
| <br>17-0033-8-089              | <br>17-0069-4-048              | <br>17-0069-4-049            | <br>20-116-2<br>S116-N         |
| <br>20-119-2<br>S119-N         | <br>40-0057-6-000              | <br>40-0058-5-000            | RENOWN  |
| <br>10083                     | <br>10204                     | <br>10528                   | <br>11033                     |
| RIMOLDI   | <br>101572-0-10              | <br>202090-0-10<br>270-074 | <br>202091-0-10              |
| <br>202092-0-10              | <br>202093-0-10<br>270-074/2 | <br>202094-0-10<br>270-075 | <br>202095-0-10<br>270-075/2 |
| <br>202413-0-10<br>270-075/1 | <br>203055-0-10              | <br>203755-0-10            | <br>204021-0-10<br>27277-074 |

|  |  |   |  |
|--|--|---|--|
|  <p>204022-0-10<br/>27277-074/2</p> |  <p>204033-0-10<br/>27277-074/5</p>   |  <p>204675-0-10<br/>290-075/1</p>     |  <p>204676-0-10<br/>290-075/2</p>     |
|  <p>206048-0-13</p>                 |  <p>206208-0-00</p>                   |  <p>2066209-0-00</p>                  |  <p>202095-0-10<br/>270-075/2</p>     |
|  <p>207722-0-00</p>                |  <p>207992-0-00</p>                  |  <p>207995-0-00<br/>207996-0-00</p>   |  <p>208011-0-10</p>                  |
|  <p>209213-0-00</p>               |  <p>209223-0-00</p>                 |  <p>209245-0-00<br/>209247-0-00</p> |  <p>209248-0-00<br/>209249-0-00</p> |
|  <p>209261-0-00</p>               |  <p>209264-0-00<br/>209265-0-00</p> |  <p>209266-0-00<br/>209267-0-00</p> |  <p>209918-0-00</p>                 |
|  <p>211245-0-00</p>               |  <p>211247-0-00</p>                 |  <p>211248-0-00<br/>211249-0-00</p> |  <p>211266-0-00<br/>211267-0-00</p> |





SEIKO

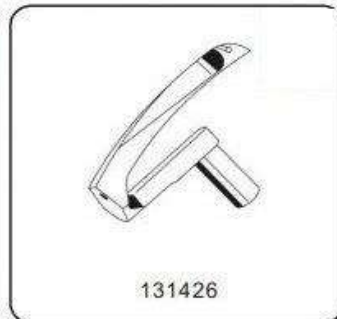
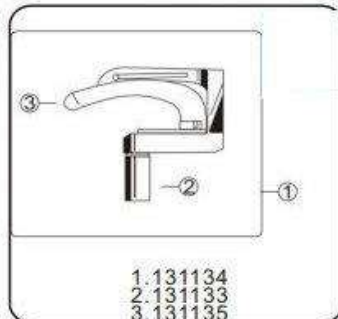
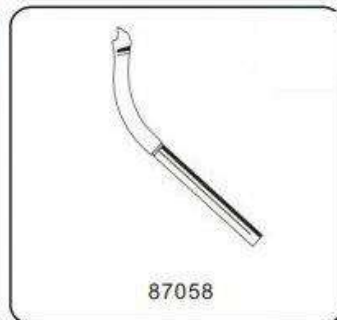
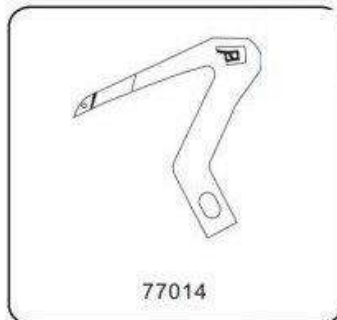
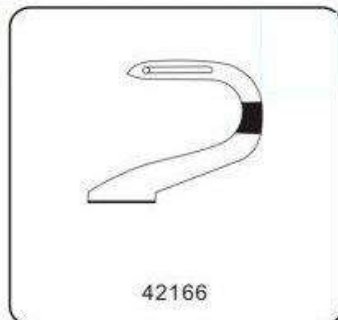
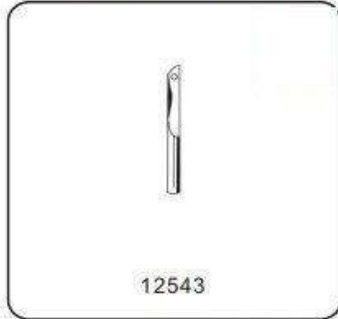
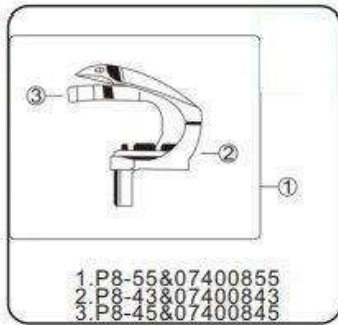


SHINGLING















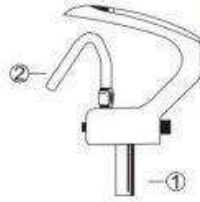











SHINGRAY





|  |   |  |   |
|--|---|--|---|
|  <p>131458 #2A</p>                  |  <p>131459 #2B</p> |  <p>137050</p>                       |  <p>139056</p>                       |
|  <p>139057</p>                      |  <p>139288</p>     |  <p>139335</p>                       |  <p>139433-1/4<br/>139433-3/16</p>   |
|  <p>139434-1/4<br/>139434-3/16</p> |  <p>143452</p>    |  <p>143453</p>                      |  <p>143454</p>                      |
|  <p>143555</p>                    |  <p>143556</p>   |  <p>146548-1/4<br/>146548-3/16</p> |  <p>146549-1/4<br/>146549-3/16</p> |
|  <p>147670</p>                    |  <p>157680</p>   |  <p>158056</p>                     |  <p>164045</p>                     |
|  <p>164055</p>                    |  <p>164252</p>   |  <p>164375</p>                     |  <p>164619</p>                     |

|   |  |  |   |
|---|--|--|---|
| <br>175085   | <br>243648    | <br>243765                 | <br>243736   |
| <br>252507   | <br>256244    | <br>256245                 | <br>256258   |
| <br>268309  | <br>268369   | <br>268370                | <br>268380  |
| <br>268382 | <br>268382M | <br>1.281208<br>2.268310 | <br>370236 |
| <br>400041 | <br>401073  | <br>410262               | <br>410434 |
| <br>410452 | <br>412553  | <br>548205               | <br>548207 |



548231



548232



550411



550424



550568



A10431000



A20051000



A30021000



ML 350601



ML 350602



ML 350603

SIRUBA



A300



B315



C8-18



C8-C16-1B



C8-C16-2B



C8-C17-1B



C8-C17-2B



C8-L1



C8-L2



C9-A16



C9-A17



C9-A18

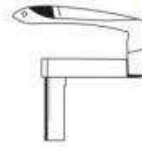




CB 28



DH 10



DM 10



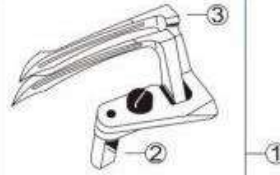
FS 03



FS 04



FS 05



1.FSM 28P  
2.ME 28  
3.FSM 28



FSM 29P



1.FW 28  
2.FW 29



FY 02



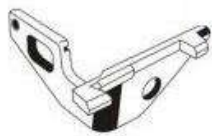
FY 09



GN 169



GN 170



HC 15



HE 21



HE 21Q



HE 22



HE 22Q



HE 22R



1.J 1232  
2.J 1233



J 1618



J 2220



J 2223



J 2422



KG 31D



KG 32D



KG 35



KG 37



KG 59



KG 75



KG 79



KG 201



KG 229



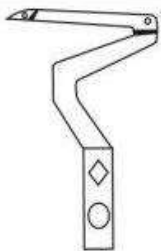
KG 230



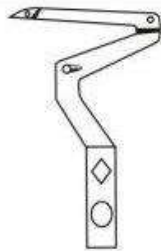
KG 471



KG 472



KL 25  
KL 25A



KL 35  
KL 35A



KL 65



KL 202



KL 204



KM 04



KM 05



KM 203



LP 21



LP 22



LP 23



LP 24

|   |  |  |   |
|---|--|--|---|
| <br>LP 26    | <br>LP 28                               | <br>LP 30              | <br>LP 32    |
| <br>LP 34    | <br>LP 36                               | <br>LP 38              | <br>LP 225   |
| <br>LP 226  | <br>LP 227                             | <br>LP 228            | <br>LP 230  |
| <br>LP 231 | <br>1. ME 28A<br>2. ME 28<br>3. ME 29 | <br>ME 28P           | <br>ME 67  |
| <br>MH 41  | <br>MT 01                             | <br>MT 01A<br>MT 01B | <br>MV 06  |
| <br>MV 10  | <br>MV 56                             | <br>MV 60            | <br>VE 30Q |



VE 49



VE 51



VE 51P



VE 51Q



VSM 47



1.ZD 21  
2.ZD 21-1



1.ZD 22  
2.ZD 22-1

STROBEL



1870002



1870004



1870047



1870052



1870053

TITAN



22266L



22266R



25523L



25523L-3



25523R



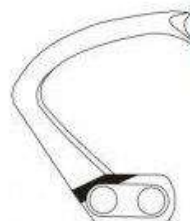
25523R-3



25560L



25560R



25705L



25705L-3



25705R



25705R-3

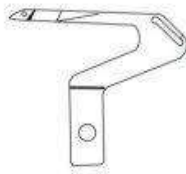
TOYOTA



1250003-433



1250003-441



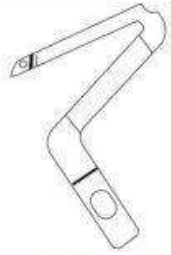
1270003-441



1651003-433



2141003-433



2141003-441



2150003-475

TRUASUER



4039 #T



4637



11387



11837

UNION



2008K



2008Q



2108



2108A



2108G



2111



2200



2200U2



2200US



2200US2



2201



2202



2203



3008Q



3430



10008



15408A



15408G



31108A



31108B



31207



31209



33709A



33709B



34508



34709



34709C



34709D



35708AJ



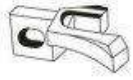
35708AK



35709AJ



35709AK



35725D #FM



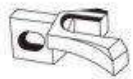
35808AY #AU



35809AY #AV



35809BY #AY



35825D #FN



35825E #FQ



1.36208A  
2.36210



36225



36251AC



36251E



36251F



36251FD



36251FE



36251W



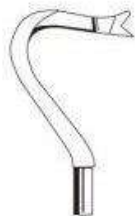
38208B-13



38209A



38209B-13



39160



39208AA



39208B



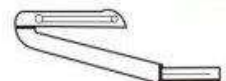
39508A #MDK



39508B



39508C #CJ



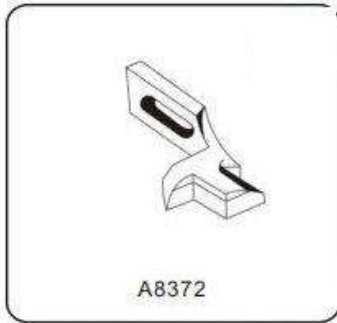
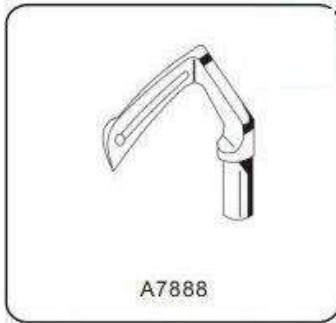
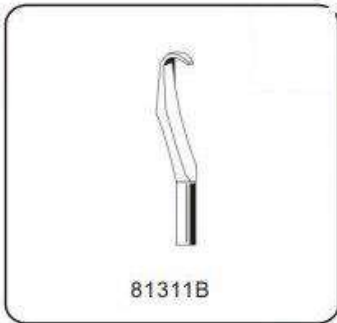
39508D

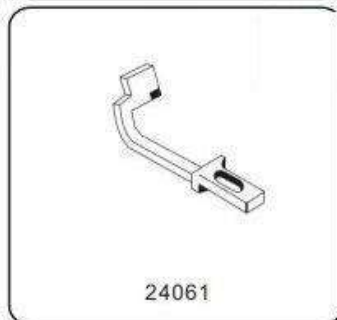
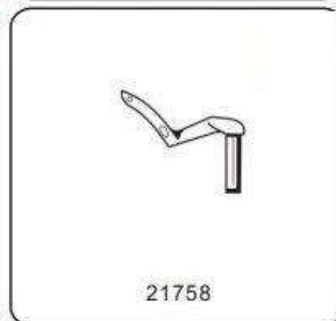
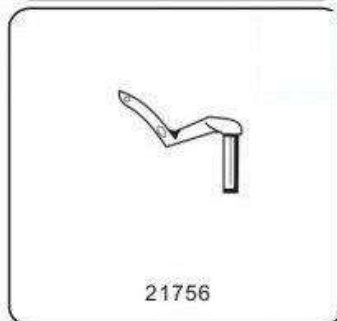
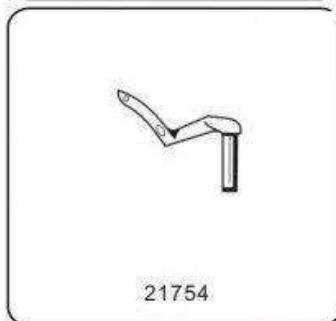
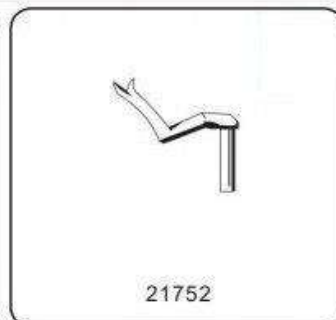
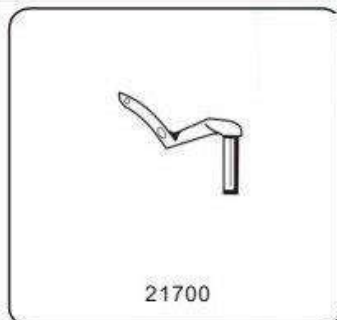
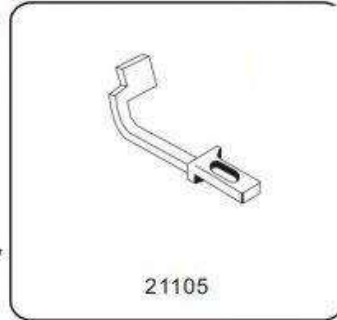
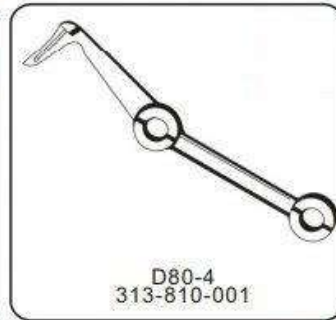
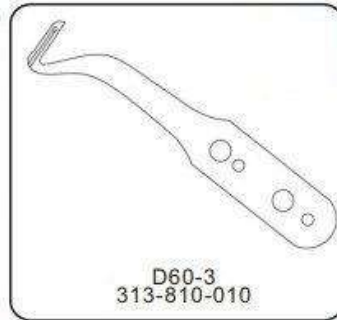
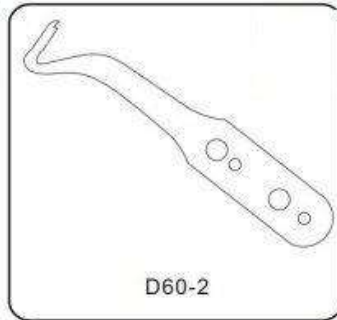
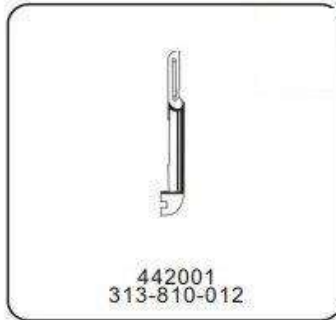
|   |  |   |   |
|---|--|---|---|
| <br>39508E #CK | <br>39508B                              | <br>39560A #E | <br>39560B     |
| <br>39608C #CR | <br>39608D #CX                          | <br>39808 #CY | <br>39808A #DA |
| <br>39808B    | <br>39808C #ADA                        | <br>39808D   | <br>39860H    |
| <br>41308B   | <br>41309                             | <br>43208D  | <br>43208G   |
| <br>50309    | <br>50309F                            | <br>50309K  | <br>51009K   |
| <br>51108B   | <br>1.51108DA<br>2.51108D<br>3.51110D | <br>51108E  | <br>51108K   |





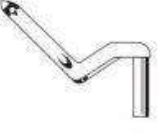





















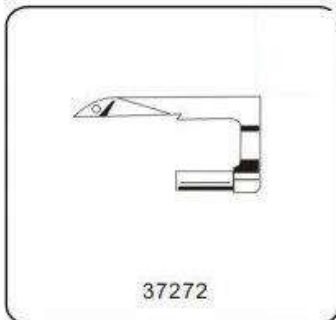
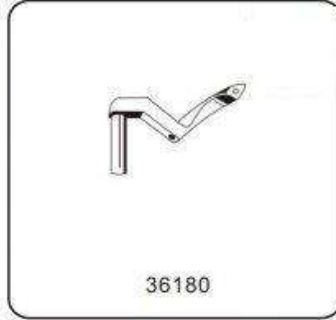
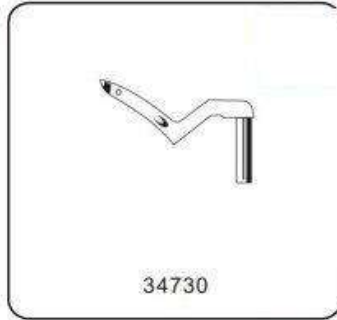
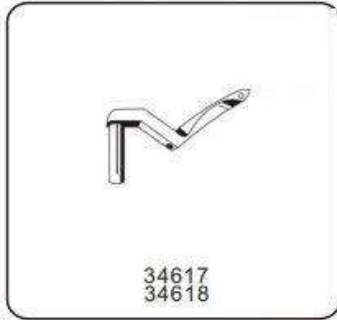
|   |  |   |  |
|---|--|---|--|
| <br>51204      | <br>51208<br>51208A         | <br>51208D                  | <br>51208W      |
| <br>51208Y     | <br>51308                   | <br>51408-12                | <br>51408-16    |
| <br>51408-24  | <br>51408-32               | <br>51409                  | <br>51409B     |
| <br>51409C   | <br>51508-16<br>51508M-16 | <br>51508-18<br>51508M-18 | <br>51508C-1  |
| <br>51508G-1 | <br>51509C                | <br>51608A-12             | <br>51608A-16 |
| <br>51708    | <br>51709                 | <br>51808<br>51808A       | <br>51809     |

|   |   |   |   |
|---|---|---|---|
|  <p>51908-5<br/>51908-6<br/>51908-7</p>    |  <p>51908B-5<br/>51908B-6<br/>51908B-7</p> |  <p>51909-5<br/>51909-6<br/>51909-7</p> |  <p>51909C</p>                                   |
|  <p>51909D-5<br/>51909D-6<br/>51909D-7</p> |  <p>52308</p>                              |  <p>52308B</p>                          |  <p>52708A</p>                                   |
|  <p>52708B</p>                            |  <p>52808E</p>                            |  <p>52845A</p>                         |  <p>52907T</p>                                  |
|  <p>52908B</p>                           |  <p>52909A</p>                           |  <p>52945M</p>                        |  <p>1.53108D 3.53111<br/>2.53108B 4.53111A</p> |
|  <p>53108SB</p>                          |  <p>53407C<br/>53411B</p>                |  <p>53409C<br/>53411C</p>             |  <p>54208A</p>                                 |
|  <p>54208B</p>                           |  <p>54211A</p>                           |  <p>54225</p>                         |  <p>64362</p>                                  |



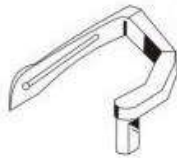


|   |   |   |   |
|---|---|---|---|
| <br>27012            | <br>27013            | <br>32415   | <br>32416            |
| <br>32539            | <br>32540            | <br>32541   | <br>32790            |
| <br>32807           | <br>32810           | <br>32811  | <br>32813           |
| <br>33059          | <br>33610          | <br>34113 | <br>34120          |
| <br>34392<br>34792 | <br>34393<br>34793 | <br>34395 | <br>34413          |
| <br>34519          | <br>34539          | <br>34584 | <br>34614<br>34615 |





63059



63178



66524



66601



66621



68097



68123 #5.2  
68123 #6.0



68124



68124SF



1.68217  
2.68218



68558



69084



69085



69086



80413



85168



90425



90529



93310



93659



93669



1.94480  
2.95723



95174



95930

|   |   |  |   |
|---|---|--|---|
| <br>95931        | <br>95932                | <br>2109200      | <br>2109201              |
| <br>2109202      | <br>2109204              | <br>2109210      | <br>2109211              |
| <br>2109212     | <br>2109213<br>2129200  | <br>2109214     | <br>2109300             |
| <br>2109301 #1 | <br>2109302            | <br>2109303 #3 | <br>2109304 #4         |
| <br>2109305 #5 | <br>2109306<br>2109307 | <br>2109308    | <br>2109309<br>2109310 |
| <br>2109320 #A | <br>2109322 #B         | <br>2109323    | <br>2109324            |



|   |  |   |   |
|---|--|---|---|
| <br>2109326 #D                   | <br>2109328 #A    | <br>2109329 #B    | <br>2109331                      |
| <br>2109333                      | <br>2109334       | <br>2109335       | <br>2109341 #A                   |
| <br>2109342 #B                  | <br>2109343 #A   | <br>2109346      | <br>2109347                     |
| <br>2109348                    | <br>2119200     | <br>2119201     | <br>2119301 #Y1<br>2119302 #Y2 |
| <br>2119303 #Y3<br>2119304 #Y4 | <br>2119305     | <br>2119307 #Y5 | <br>2119308 #Y6                |
| <br>2119320 #F1                | <br>2119322 #F3 | <br>2119323 #F4 | <br>2119324                    |

|  |  |   |  |
|--|--|---|--|
|  <p>2129200</p>   |  <p>2129300</p>   |  <p>2129301</p>   |  <p>2129311</p>               |
|  <p>2159206</p>   |  <p>2159207</p>   |  <p>3021092</p>   |  <p>1.3029305<br/>2.68218</p> |
|  <p>3029310</p>  |  <p>3109200</p>  |  <p>3109201</p>  |  <p>3109210</p>              |
|  <p>3109300</p> |  <p>3109302</p> |  <p>3109305</p> |  <p>3109306</p>             |
|  <p>3109310</p> |  <p>3139200</p> |  <p>3209202</p> |  <p>3209300</p>             |
|  <p>3209301</p> |  <p>3209311</p> |  <p>3209312</p> |  <p>3209313</p>             |

|  |  |   |  |
|--|--|---|--|
| <br>3209314   | <br>1.3409300<br>2.3409201              | <br>3509202   | <br>3509300   |
| <br>3509320   | <br>1.4309326<br>2.4309325<br>3.4209201 | <br>4309201   | <br>4309300   |
| <br>4309320  | <br>4309321                            | <br>6109200  | <br>6109201  |
| <br>6109300 | <br>1.6109301<br>2.6109202            | <br>6109305 | <br>6209200 |
| <br>6209201 | <br>6209202                           | <br>6209203 | <br>6209204 |
| <br>6209300 | <br>6209301                           | <br>6209302 | <br>6209303 |

